

**PRODUCT SPECIFICATIONS SHEET**

Class of Use	A (Group 2)
Weight Capacity	200 lbs. (91 kg/14 stone 4 lbs.) 250 lbs. (113 kg/17 stone 12 lbs.) United Kingdom with Swing-away Leg Rests only
Maximum Speed <sup>1</sup>	Up to 3.6 mph (5.8 km/h)
Ground Clearance <sup>2</sup>	1.6 in. (42 mm) at anti-tip bracket 1.9 in. (45 mm) at motor
Turning Radius <sup>2</sup>	25.45 in. (645 mm) with foot platform
Overall Size <sup>2, 6</sup>	Length: 33.09 in. (838 mm) with front rigging Width: 22.6 in. (574 mm)
Drive Wheels	9 in. (229 mm), solid
Front Caster Wheels	6 in. (152 mm), solid
Rear Anti-tip Wheels	3 in. (76 mm), solid
Suspension	Limited
Range <sup>1, 4</sup>	Up to 13.8 miles (22.21 km)
Component Weights <sup>2, 5</sup>	Base: 67 lbs. (30.4 kg) Seat: 30.6 lbs. (13.86 kg) Batteries: 18 Ah: 31 lbs. (14.06 kg) (battery box)
Drivetrain	Two motor, rear-wheel drive
Brakes	“Intelligent Braking” electronic regenerative, disc park brake
Batteries <sup>3</sup>	Two 12 volt, deep-cycle: 18 Ah (standard)
Battery Charger	3.5 amp, off-board
Freewheel Operational Force	Less than 60 N
Drive Control Operational Force	Less than 5 N
Maximum Rated Slope	6° (10.5%)
Maximum Obstacle Climbing Ability (Ascending/Descending)	1.57 in. (40 mm)
Measured Sound Level (A-weighted)	Less than 65 dB

<sup>1</sup> Varies with base model, user weight, terrain type, battery amp hour rating (Ah), battery charge, battery condition, motors, controller type, tire type, and tire condition. This specification is subject to a variance of +10%, -5%.  
<sup>2</sup> Due to manufacturing tolerances and continued product improvement, this specification can be subject to a variance of (+ or -) 3%.  
<sup>3</sup> AGM or Gel-Cell type required. See “Batteries and Charging.”  
<sup>4</sup> Tested in accordance with ANSI/RESNA, WC Vol. 2, Section 4 & ISO 7176-4 standards. Results derived from theoretical calculations based on battery specifications and drive system performance. Test conducted at maximum weight capacity.  
<sup>5</sup> Battery weight may vary based on manufacturer.  
<sup>6</sup> Dimensions listed are for power base only. Overall measurements will vary based on seating and accessory selections.

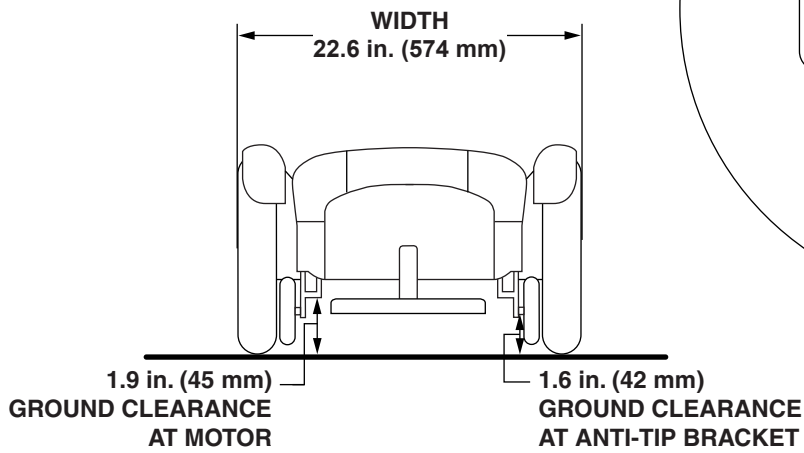
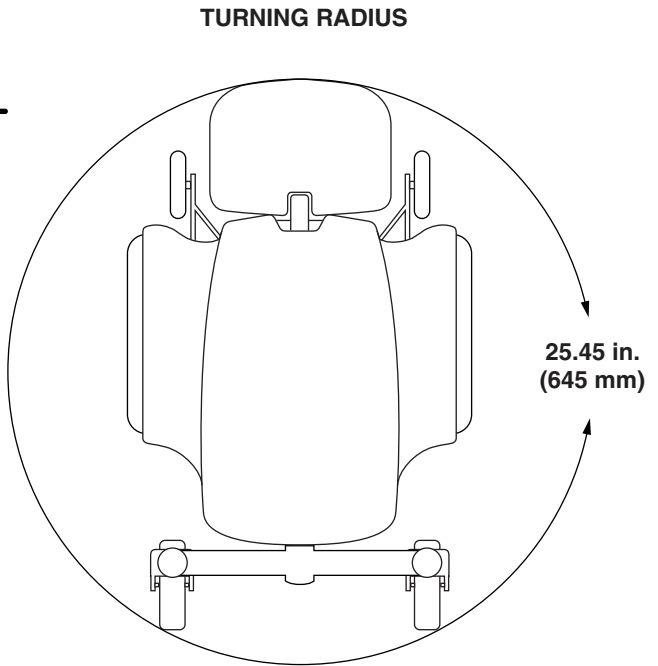
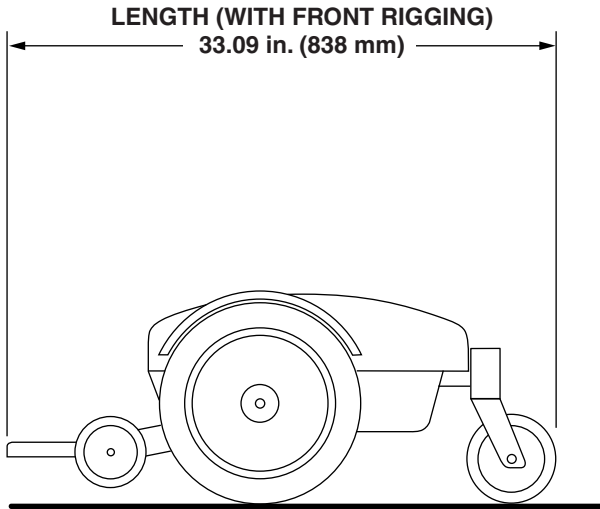
**NOTE: This product conforms to all applicable ANSI/RESNA, ISO 7176 Series, AS/NZS 3695.2, and EN12184 standards. All specifications subject to change without notice.**





# KOZMO / KOZMO PORTABLE

## PRODUCT SPECIFICATIONS SHEET



Rev C/April 2018

