

## PRODUCT SPECIFICATIONS SHEET

**Model:** Lightning

**Manufacturer:** Pride Mobility Products Ltd.

**Internet Address:** www.pridemobility.com

**Document Information:** INFINF3002/Rev A/November 2011

Suspension:	Active-Trac ATX with Long Trail Arm
Drive Wheels:	40 cm (13.75 in.), pneumatic or solid available
Caster Wheels:	Front: 23 cm (9 in.) pneumatic
Maximum Speed: <sup>1</sup>	Up to 6.4 km/h (4 mph)
Range: <sup>1, 4</sup>	Variable up to 26.5 km (16.5 miles)
Brakes:	"Intelligent Braking" electronic regenerative, disc park brake
Ground Clearance: <sup>2</sup>	7.62 cm (3 in.) at battery tray
Turning Radius: <sup>2</sup>	65.4 cm (25.75 in.)
Overall Size: <sup>2, 6</sup>	Length: 110 cm (43.25 in) with front riggings; 88 cm (35 in.) without front riggings Width: 63.5 cm (25 in.)
Drivetrain:	Two motor, Rear-wheel
Batteries: <sup>3</sup>	Two 12-volt, deep-cycle Group 24 batteries
Battery Charger:	8-amp, off-board
Weight Capacity:	136 kg/21 stone 6 lbs. (300 lbs.)
Component Weights:	Base: 58.51 kg (129 lbs.) Batteries: 23.13 kg (51 lbs.) each
Class of Use:	B
Maximum Allowable Incline:	10.5% (6°)
Maximum Angle Capacity:	15.8% (9°)
Maximum Obstacle Climbing Ability:	7 cm (2.76 in.)

<sup>1</sup> Varies with base model, user weight, terrain type, battery amp hour rating (Ah), battery charge, battery condition, motors, controller type, tyre type and tyre condition. This specification can be subject to variance of + 10%, -5%.

<sup>2</sup> Due to manufacturing tolerances and continued product improvement, this specification can be subject to variance of (+ or -) 3%.

<sup>3</sup> AGM or Gel-Cell type required. See V. "Batteries and Charging."

<sup>4</sup> Tested in accordance with ANSI/RESNA, WC Vol 2, Section 4 and ISO 7176-4 standards. Results derived from theoretical calculation based on battery specifications and drive system performance. Test conducted at maximum weight capacity.

<sup>5</sup> Battery weight may vary based on manufacturer.

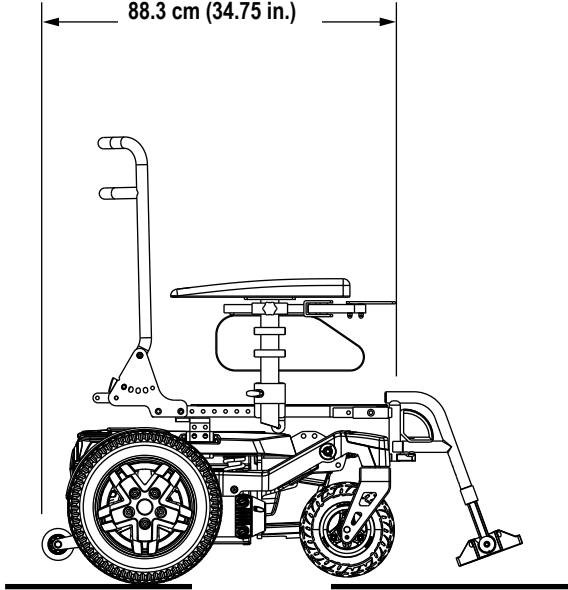
<sup>6</sup> Dimensions listed are for power base only. Overall measurements will vary based on seating and accessory selections.

**NOTE: This product conforms to all applicable ANSI/RESNA testing requirements and ISO EN12184 standards. All specifications subject to change without notice.**

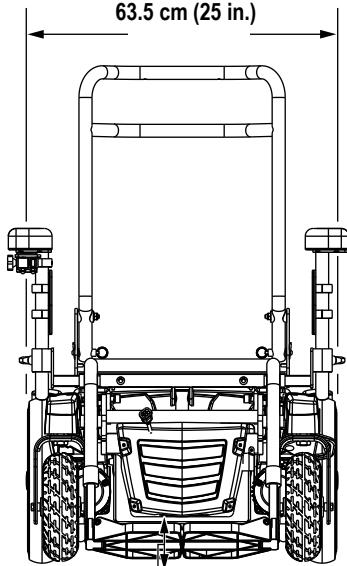
\* I N F I N F B 3 0 0 2 \*

**LENGTH (WITH FRONT RIGGINGS)**  
110 cm (43.25 in.)

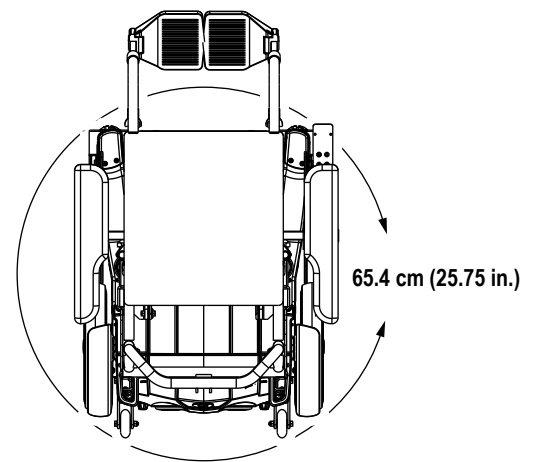
**LENGTH (WITHOUT FRONT RIGGINGS)**  
88.3 cm (34.75 in.)



**WIDTH AT WHEELS**  
63.5 cm (25 in.)



**GROUND CLEARANCE**  
8.25 cm (3.25 in.)



**TURNING RADIUS**  
(WITHOUT FRONT RIGGINGS)

\* I N F I N F B 3 0 0 2 \*